



The chemical vehicle is designed for:

- decontamination of military and civilian vehicles, machines, buildings, roads, terrain and persons,
- preparation, transportation and temporary storage of decontamination mixtures and their application with hand operated lances equipped with high-pressure or foam-forming nozzles or brushes,
- for water heat up and generation of water steam used for decontamination of fatty parts or engines,
- for decontamination of personnel being either protected by non-perm cable suits or not by spraying with warm water or special mixtures,
- for decontamination or clean up of roads, airport or strengthened ground areas, respectively, using stream of water or decontamination mixtures generated by a nozzle bar situated ahead of a car, all performed while driving,
- re-pumping and transporting of aggressive liquids,
- fire extinguishing using classical methods or high-pressure water stream of 9 MPa,
- feeding army and special security units with water, decontamination mixtures, water steam and electricity power,
- withdrawing and lifting (transferring) of damaged machinery.



Decontamination of buildings, objects and large-sized equipment is provided by lifting platform up to height of 15 m being connected to rear part of the vehicle.

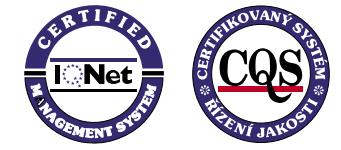
SDO Personnel Decontamination System that is transported in ISO-1C container with vehicle is available for personnel decontamination.

EDS Mixer is available to the vehicle for application of emulsions and peroxide decontamination mixtures.



CHEMICAL VEHICLES

- complete decontamination of persons, machines, roads and terrain
- establishment of independent workplaces for special water treatment
- fire extinguishing
- physical modifications - filtration, mixing, separation



APZ-94P



APZ-94A



ACHR-90M

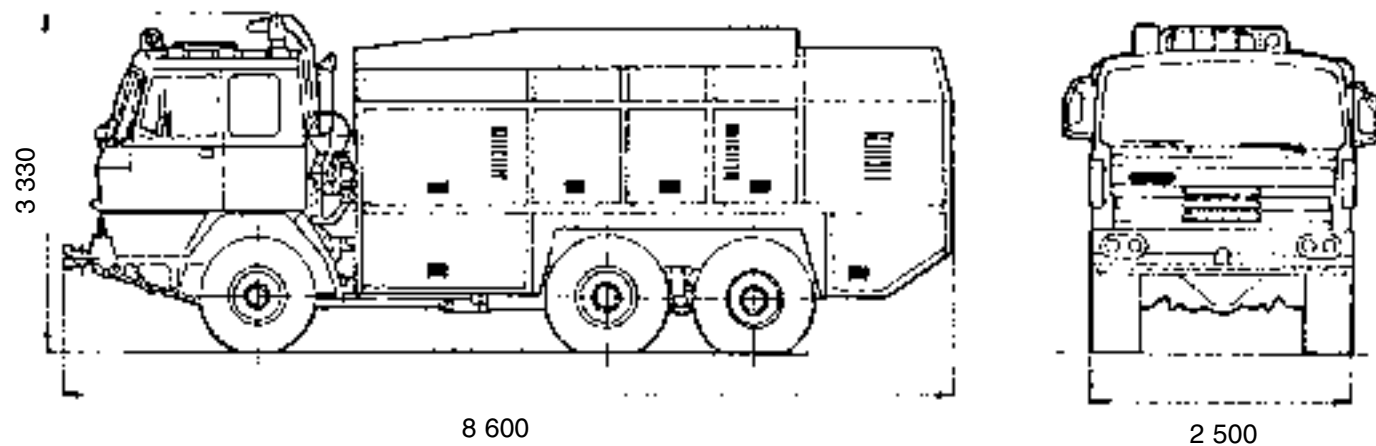


Vojenský opravárenský podnik 025
Nový Jičín, státní podnik
Dukelská 102, 742 42 Šenov u Nového Jičína
Czech Republic

tel.: +420 556 783 111
fax: +420 556 701 734
e-mail: marketing@vop025.cz
http://www.vop025.cz



VOP 025 Nový Jičín, s.p.



Technical parameters

Weight (empty)	17 000 kg
Vehicle engine output	255 kW
Maximum speed	85 km.h ⁻¹
Minimum speed	3,5 km. h ⁻¹
Operational range	1 000 km
Volume of the three-chambered tank	3 x 2000 dm ³
Width of spraying	12 m
Tractive force of the wrecking winch	90 kN

(M) META pump

Output pressure	1,3 MPa
Volume transported (max)	1 000 dm ³ .min ⁻¹

(S) SANIJET C 921 D aggregate

Cold water under 9 MPa pressure	18 dm ³ .min ⁻¹
Warm water 38 °C under 0,4 MPa pressure	50 dm ³ .min ⁻¹
Hot water 95 °C under 9 MPa pressure	14 dm ³ .min ⁻¹
Wet steam 120 °C under 2 MPa pressure	540 kg.h ⁻¹
Dry steam 190 °C under 2 MPa pressure	300 kg.h ⁻¹
Power 12 V, 220 V	2 000 W

(FG) FROGGY pump

Max. volume transported under 0,15 MPa pressure	800 dm ³ .min ⁻¹
Max. volume transported	1 200 dm ³ .min ⁻¹
Max. outlet pressure	0,3 MPa

(F) FLUX electric pump

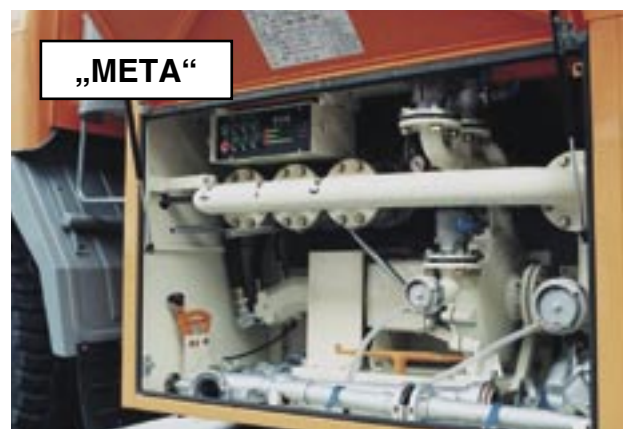
Max. volume transported	140 dm ³ .min ⁻¹
Max. outlet pressure	0,24 MPa

(VAK) Water plastic tank

Volume	2 000 dm ³
--------	-----------------------

BASIC DECONTAMINATION TECHNOLOGY

The technical equipment and various accessories enable the ACHR-90M vehicle to bring about almost all basic decontamination technologies, e.g. the treatment of surfaces by scrubbing with flow-brushes, spraying decontamination mixtures being in form of a solution or a dispersion (i.e. suspension, emulsion and foam, resp.) with density of 0.2 to 3 dm³/m², flushing by means of high-pressure up to 9 MPa and application of steam stream.



„META“

The chemical vehicle is a vehicle providing complete decontamination of persons, machines, roads and terrain. It is designed for fast operation in field conditions.

The chemical vehicle is built up on chassis of the TATRA 815 6x6 truck and consists of basic parts, as follows:

- water system with three-chambered tank and META centrifugal pump, all parts are made of stainless steel with titanium,
- hydraulic system to power transmission from chassis engine to the META centrifugal pump and to the winch drive,
- SANIJET C 921 D high-pressure aggregate,
- FROGGY floating water pump,
- collapsible rubber tank, volume 2 000 dm³
- FLUX electric portable pump to operation under dangerous explosive conditions as well as for pumping of aggressive liquids,
- heating system to operation with water at low external temperatures down to - 10 °C.

Other recommended accessories

- decontamination accessories (inflatable tent, showers, collecting tanks and other accessories),
- fire extinguishing and security equipment (respiratory instruments, protective helmets, electric instruments and devices with maximum input power up to 2 000 W, submergible walls, absorption materials etc.),
- functional accessories (illumination set for work at night, crane with loading capacity of 50 kg for lifting, motor fuel oil and petrol canisters, spare parts and tools).

Inner vehicle parts and elements are protected by a coachwork designed conveniently as a compact unit so that they fulfilled requirements to be easily and properly decontaminated.

Based on the military decontamination ACHR-90M vehicle the ecological version denoted as the APZ-94 has been developed. The APZ-94 differs from military version with a lot of fire extinguishing and security accessories.



„SANIJET“



„FROGGY“

